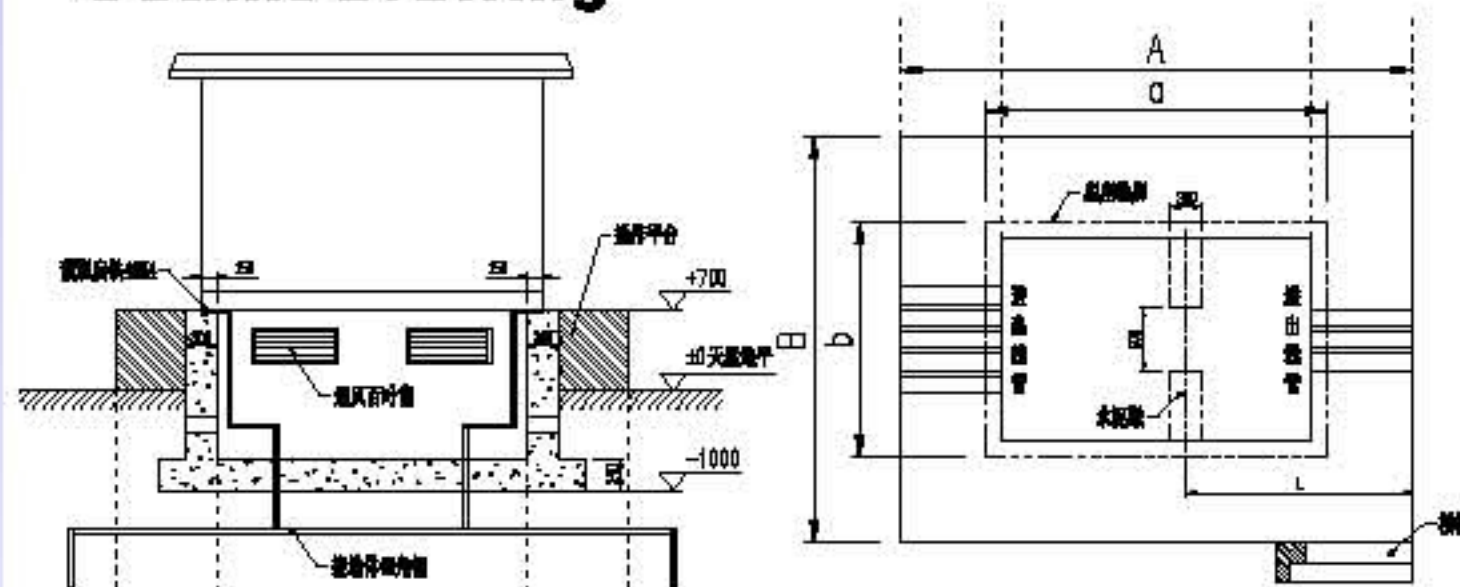


ZBW/YBM Substation



Outline Drawing



Color Steel Plate Type

Anti-corrosion Wooden Type



General

The ZBW/YBM series combination compact substation is a outdoor three-phase complete power distribution rated frequency is 50/60Hz, and the voltage at the HV side is 35kV, LV side is 0.4kV. It can be used in the cities, villages and towns, path, factories, oil field, mine, dock, as well as constructive work places, for the accepting, converting and distributing. It has the features of strong complete set, small volume, convenience installation, simple maintenance, low cost, high automatic performance and safety running.

The combination substation conforms to IEC62271-202 and GB/T17467-1998 standards: high voltage / low voltage prefabricated substation,

Working Conditions

1. Altitude: $\leq 1000\text{m}$;
2. Ambient temperature: $-25 \sim +40^{\circ}\text{C}$;
3. Wind speed: 34m/s (Wind pressure: 700Pa);
4. Ice thickness: 20mm;
5. Relative humidity: daily average 95%, monthly average 90%;
6. Be free of severe shock, vibration and corrosion; no risk of fire and explosion.

Technical Data

Ser. No.	Item	Unit	Value
1	Rated Capacity	kVA	30-1250
2	High Voltage Side		
2.1	Rated Voltage	kV	7.2-12
2.2	Rated Current	A	630
2.3	Rated Interrupting Current	kA	31.5-40
3	Low Voltage Side		
3.1	Rated Voltage	kV	0.4
3.2	Main Switch Rated Current	A	100-2500
3.3	Main Switch Rated Interrupting Capacity	kA	15-80
4	Protection Grade		IP 3X
5	Noise Level	dB	≤ 65

Note: the technical manual is made separately, please contact us for the profile.